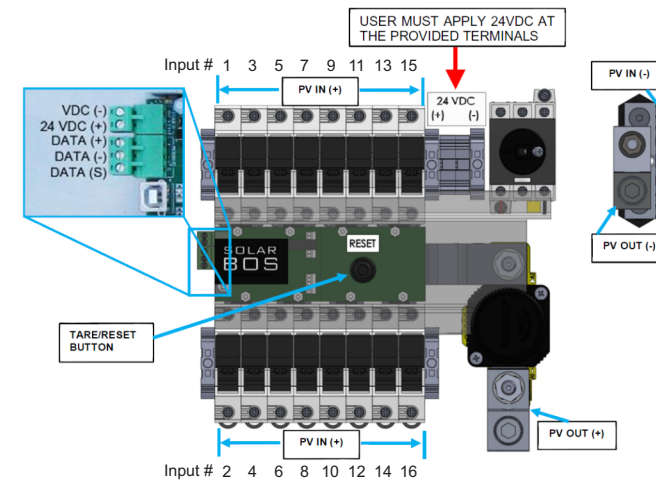
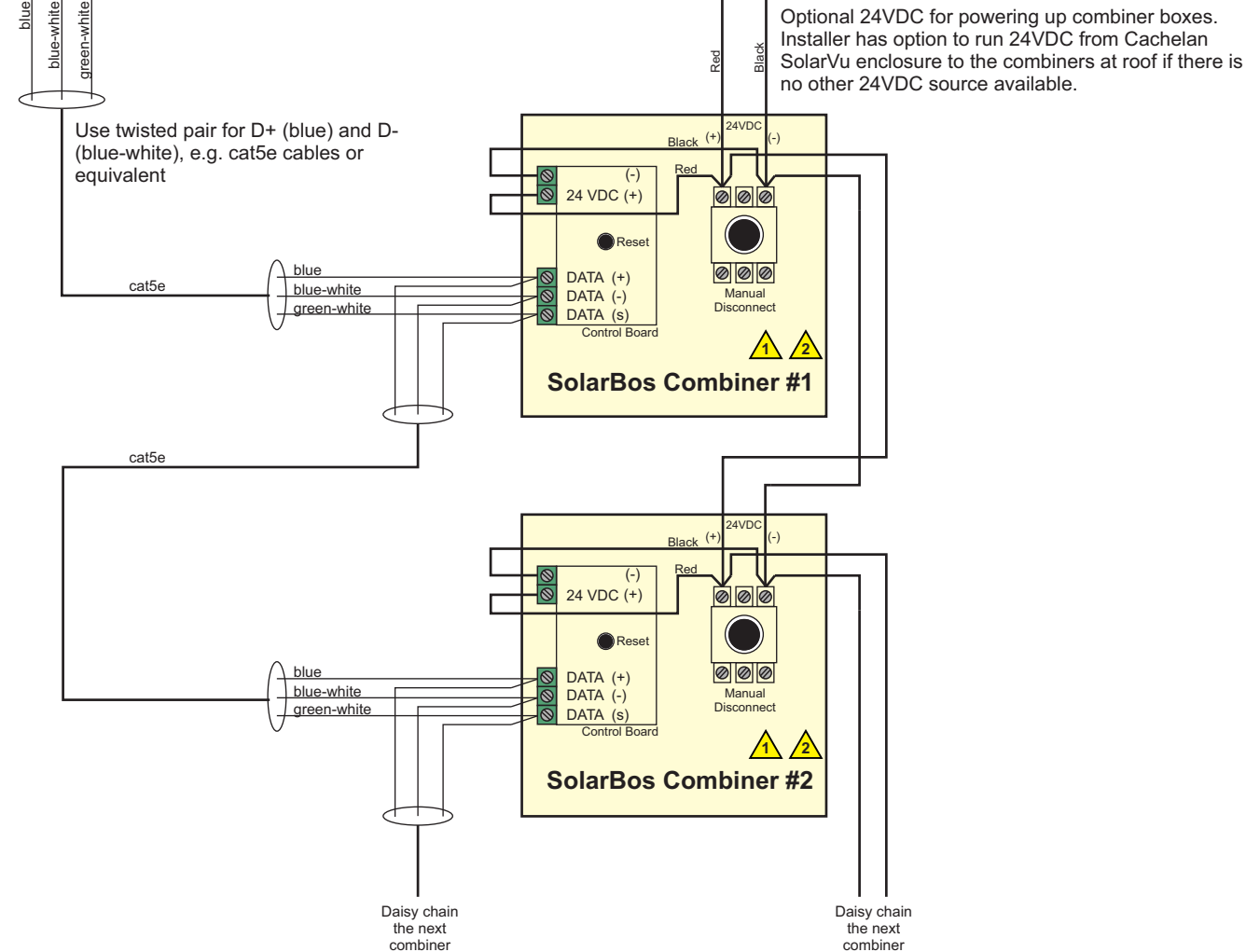
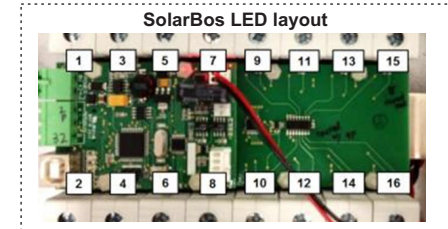


⚠ Port 3 on M504 Communication Board is typically assigned for string monitoring (combiners). For detailed port assignment for combiners, see the corresponding Cachelan SLD for details



## NOTES

### ⚠ SolarBos Combiner Slave ID setup (read this carefully)



For each SolarBos Combiner, match the Modbus address to its number. e.g. Combiner #1 has Modbus address 1, combiner #2 has Modbus address 2 and etc.

1. Press and hold the RESET button until the LEDs 1-16 flash, then release the button. The board is now in menu selection mode.
2. Press the RESET button one more time until LED 2 is on.
3. Press and hold the RESET button until LED 2 flashes then release the button. You will be in the SET MODBUS ADDRESS mode.
4. Once entered into MODBUS ADDRESS mode, LED 10 will light up (LED 10 indicates number 0).

Once in SET MODBUS ADDRESS mode, the board is ready to accept a 2-digit number (1 digit entered each time). First input is for the tens digit and second input is for the ones digit. e.g. Modbus address 03 will be entered by LED 10 as the first digit (LED 10 means 0) and LEDs 1-3 will be on as the second digit, for more example see chart below.

digit "0" is indicated by LED 10 only.  
 digit "1" is indicated by LED 1.  
 digit "2" is indicated by LEDs 1 & 2.  
 digit "3" is indicated by LEDs 1, 2 & 3 etc.

\*Address is in decimal, not Hex

Modbus Address	01	02	03	...	10	11	12	...
First Input	LED 10	LED 10	LED 10	...	LED 1	LED 1	LED 1	...
Second Input	LED 1	LED 1-2	LED 1-3	...	LED 10	LED 1	LED 1-2	...

5. Momentarily press the RESET button until the desired first digit is displayed.
6. Press and hold the RESET button until the selected LEDs flash, then release the button.
7. Momentarily press the RESET button until the desired second digit is displayed.
8. Press and hold the RESET button until the selected LEDs flash, then release the button. This will store the second digit. And this completes the SET MODBUS ADDRESS procedure.

### ⚠ SolarBos Combiner Calibration

Each SolarBos Arc Fault Combiner requires a on-site calibration. Refer to SolarBos Arc Fault installation manual for details.

### ⚠ Port Assignment for String Monitoring

For detailed gateway comm board port assignment for combiners, see the corresponding Cachelan SLD for details

Production - As Built

© Cachelan Proprietary Information



3575 14th Avenue Unit #7  
 Markham, ON L3R 0H6, Canada  
 905.470.8400 cachelan.com

## M504 to SolarBos Arc Fault Combiner Wiring

REV	REV DATE	ISSUED	ENG/DRAW	PROJECT
A1	Apr 10, 2015	Apr 10, 2015	NW/TH	SolarVu
FILE	CQ720A1 M504 to SolarBos Arc Fault Combiner Wiring			

**720**